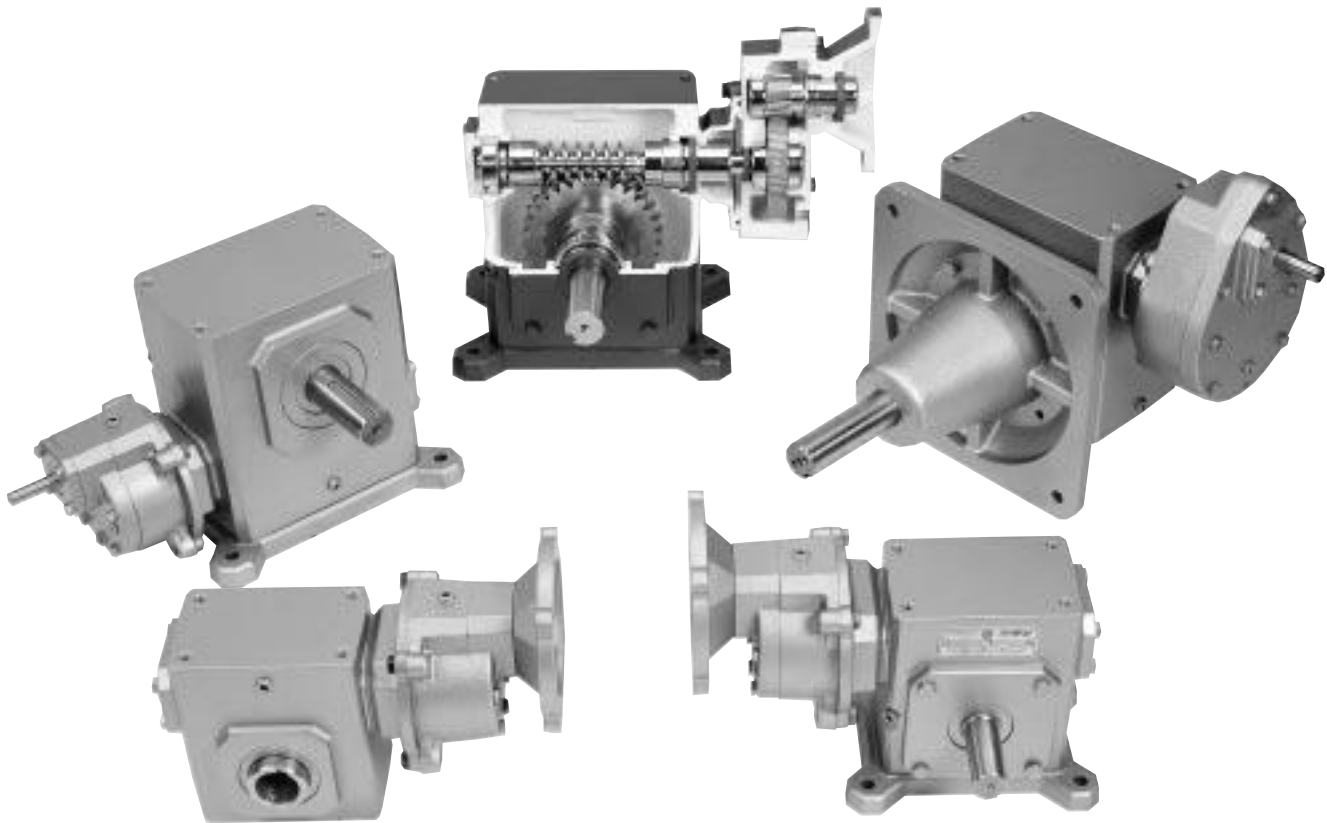
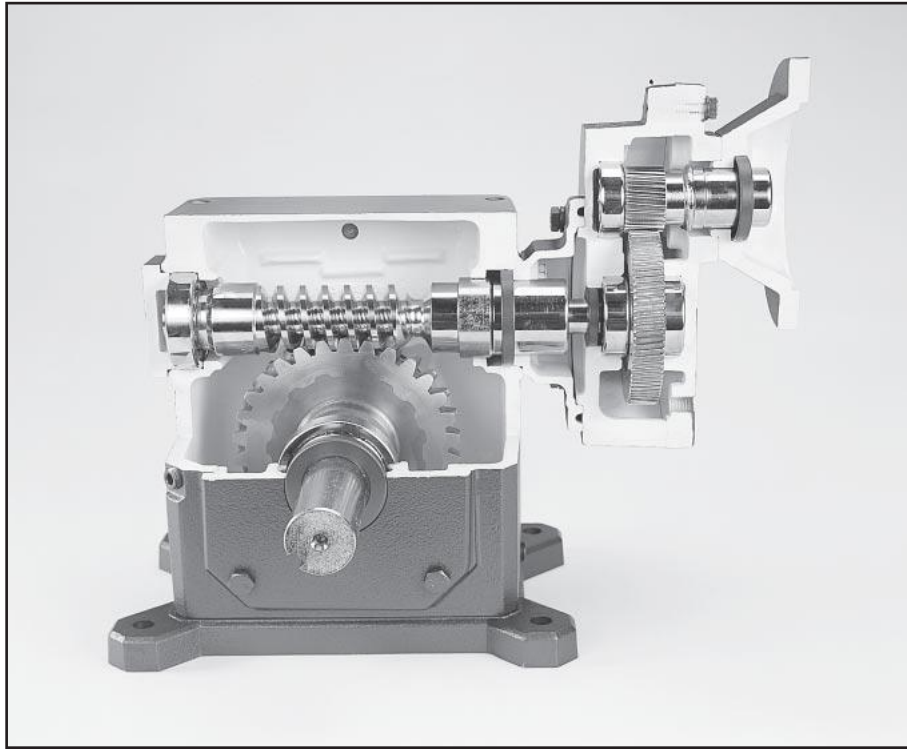


The Double Reduction Helical/Worm Flexaline Speed Reducer

New dimension and assembly drawings, quick reference charts and rating tables plus more in the Helical/Worm section...



Helical / Worm Reduction Product Features



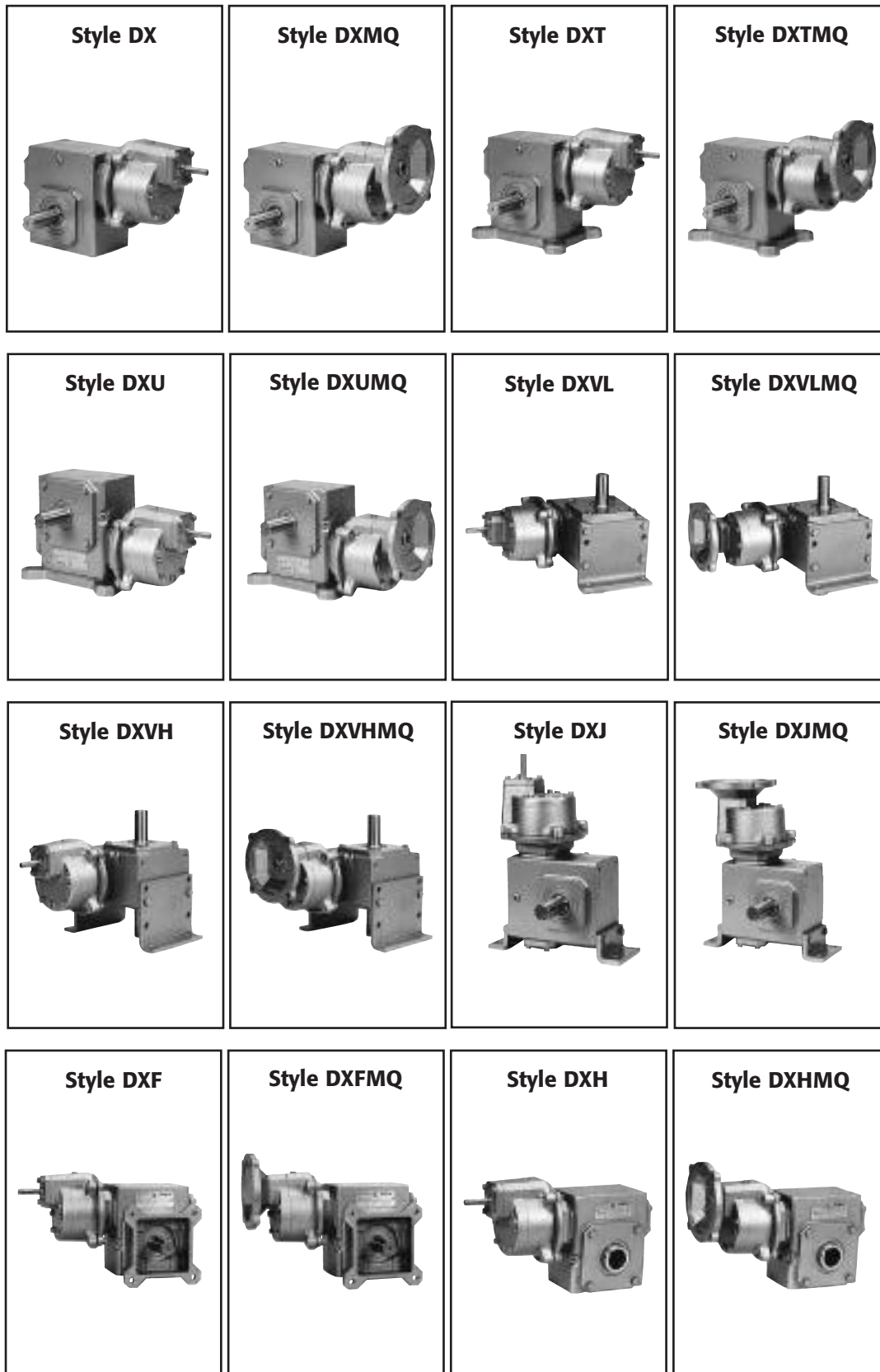
- **Rugged iron housings**, covers, and flanges provide superior strength and rigidity.
- **Separate housing design** insures long trouble free life of all components.
- **Single cover output design** ensures gear centering on the secondary box for maximum efficiency and minimum noise levels.*
- **Steel gears in the primary gear box** provide efficient, quiet, smooth running operation.
- The **worm shaft** is cut integral with the input shaft then hardened, ground, and polished to provide maximum efficiency with minimum gear noise.
- The **bronze worm gear** is chill cast from the highest quality bronze to provide superior wear and lubricity characteristics for longer life and higher efficiency.
- **Premium tapered roller bearings** on output shafts provide greater life, overhung load and thrust capacity.
- **Oversized steel output shafts** provide superior overhung load and torque characteristics.
- **Premium Chicago Rawhide Viton® double lip seals** on the secondary box provide extended life because of increased resistance to high temperatures, abrasion and chemicals.*
- **O-rings on input and output covers** of the secondary box provide positive sealing without undependable gaskets or messy silicone sealants.*
- **Non-compressible metal shims** maintain factory bearing settings and gear alignment throughout the life of the product.*
- **Large oil capacity** provides positive splash lubrication and superior cooling capability.
- **Metal nameplate drive screwed to housing** insures easy field identification for repair parts and replacement.
- **Units are oil filled at the factory** with the proper lubrication to provide simple and economical installation.**
- **All units are 100% run and leak** tested at the factory to insure that you only receive the highest quality product.

* Standard on unit sizes up to and including 5 1/4 inch center distance only. (Size 213 to 252)

** Seven, eight, and ten inch center distance reducers are shipped without oil. (Sizes 2700, 2800, & 21000)

Double Reduction

Helical / Worm Selection Guide



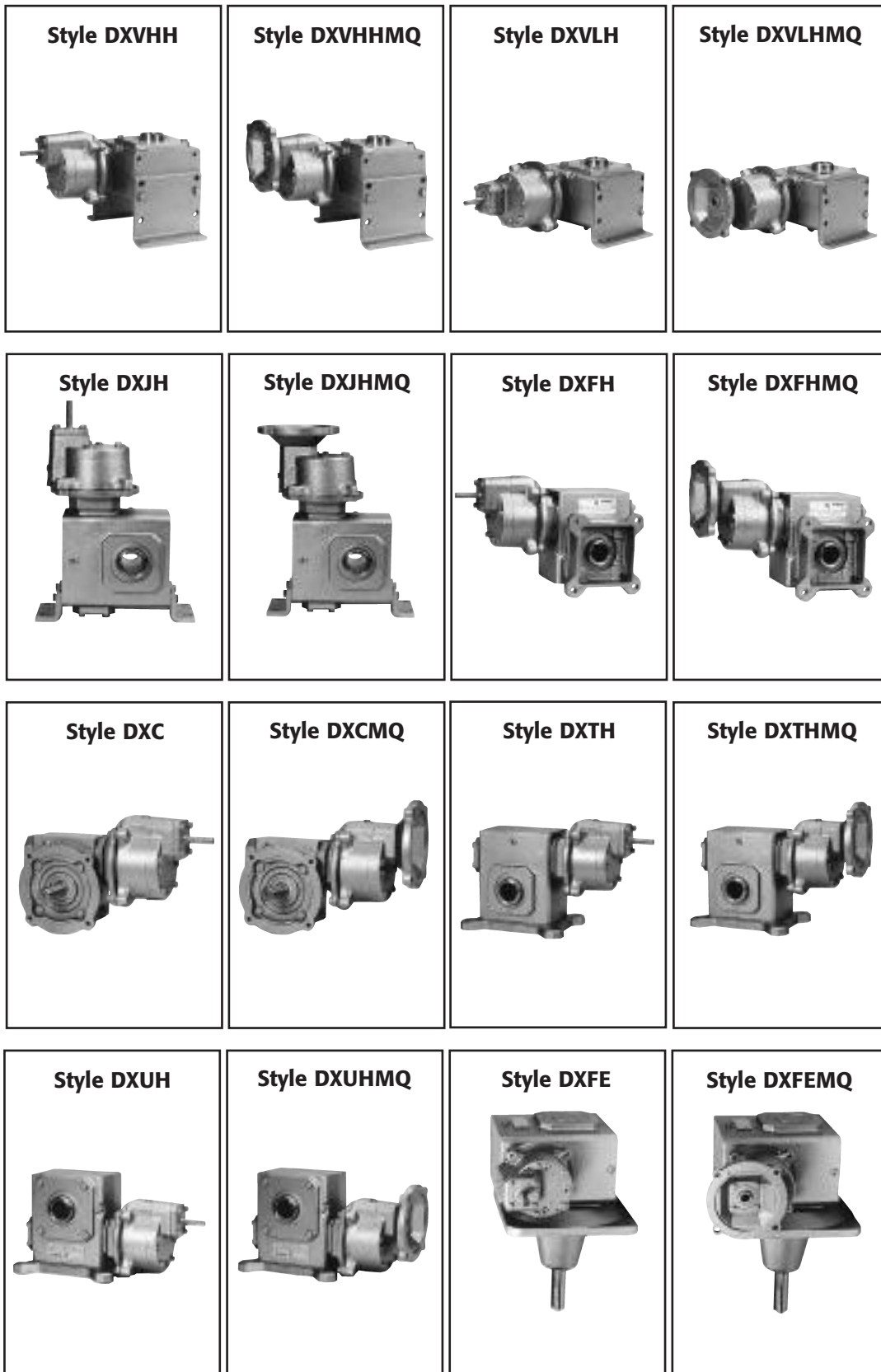
GROVE GEAR

Davis Industries, Inc.

Phone & Fax: 800-577-0559 E-mail: sales@davis-ohio.com

Double Reduction

Helical / Worm Selection Guide



Double Reduction

Quick Reference Model Selection Chart Helical/Worm

Reduc. Ratio	Output RPM	Input Horsepower @ 1750 RPM																	
		1/8	1/6	1/4	1/3	1/2	3/4	1	1.5	2	3	5	7.5	10	15	20	25	30	40
20	87.5	213	213	213	213	215	218	220	224	224	230	232	242	252	252	NA	NA	NA	NA
25	70.0	213	213	213	213	215	220	224	226	230	242	242	252	252	2700	2800	2800	2800	21000
30	58.3	213	213	213	213	215	220	220	224	230	232	242	252	252	NA	NA	NA	NA	NA
40	43.8	213	213	213	215	218	220	224	226	230	232	242	252	252	NA	NA	NA	NA	NA
50	35.0	213	213	215	215	220	224	224	230	230	242	242	252	2600	2700	2800	21000	21000	
60	29.2	213	213	215	218	220	224	226	230	230	242	252	252	NA	NA	NA	NA	NA	
75	23.3	213	213	215	220	224	224	230	230	242	242	252	2600	2700	2800	21000	21000	NA	
80	21.9	213	215	215	220	224	226	230	232	NA	NA	NA	NA	NA	NA	NA	NA	NA	
100	17.5	213	215	218	220	224	226	230	232	242	242	252	2700	2800	21000	21000	NA		
125	14.0	215	215	220	224	226	230	232	242	242	252	2600	2700	2800	21000	NA	NA		
150	11.7	215	215	220	224	226	230	232	242	242	252	2600	2800	21000	21000	NA			
200	8.75	215	220	224	224	230	232	242	242	252	252	2700	21000	21000	NA	NA			
250	7.00	215	220	224	226	230	242	242	242	252	2600	2800	21000	21000	NA				
300	5.83	220	220	224	230	230	242	242	252	252	2600	21000	NA	NA	NA				Not Available
400	4.38	224	224	226	230	242	242	252	252	2600	NA	NA	NA	NA					
500	3.50	226	230	232	242	242	252	252	2600	NA	NA	NA	NA	NA					
600	2.92	224	230	230	242	242	252	252	2600	NA	NA	NA							

Note: This chart is meant only as a guide.

Class II (1.25 Service Factor)

Reduc. Ratio	Output RPM	Input Horsepower @ 1750 RPM																	
		1/8	1/6	1/4	1/3	1/2	3/4	1	1.5	2	3	5	7.5	10	15	20	25	30	
20	87.5	213	213	213	213	215	220	220	224	226	230	242	242	252	NA	NA	NA	NA	
25	70.0	213	213	213	215	220	224	224	230	230	242	242	252	2700	2700	2800	2800	21000	
30	58.3	213	213	213	215	218	220	224	226	230	232	242	252	2600	NA	NA	NA	NA	
40	43.8	213	213	215	215	220	224	226	230	232	242	252	252	NA	NA	NA	NA	NA	
50	35.0	213	213	215	218	220	224	226	230	232	242	252	2600	2700	2800	21000	21000	21000	
60	29.2	213	215	215	220	224	226	230	230	242	242	252	2600	NA	NA	NA	NA		
75	23.3	213	215	218	220	224	226	230	232	242	242	252	2700	2800	21000	21000	NA		
80	21.9	215	215	220	220	224	230	230	232	NA	NA	NA	NA	NA	NA	NA	NA		
100	17.5	215	215	220	224	226	230	232	242	242	252	2600	2800	2800	21000	NA			
125	14.0	215	220	224	224	230	230	242	242	242	252	2700	2800	21000	21000	NA			
150	11.7	215	220	224	224	230	232	242	242	252	252	2700	21000	21000	NA				
200	8.75	215	220	224	226	230	242	242	242	252	2600	2800	21000	21000	NA				
250	7.00	220	224	226	230	232	242	242	252	252	2700	21000	21000	NA	NA				
300	5.83	220	224	230	230	242	242	242	252	252	2800	21000	NA	NA					Not Available
400	4.38	224	226	230	232	242	252	252	2600	NA	NA	NA	NA						
500	3.50	230	230	242	242	252	252	2600	NA	NA	NA	NA	NA						
600	2.92	230	230	242	242	252	252	252	NA	NA	NA	NA							

Note: This chart is meant only as a guide.

For Class III (2.00 Service Factor) contact factory.

GROVE GEAR

Davis Industries, Inc. Phone & Fax: 800-577-0559 E-mail: sales@davis-ohio.com

Double Reduction

Helical / Worm Approximate Shipping Weights (LBS.)

Style	213	215	218	220	224	226	230	232	242	252	2600	2700	2800	21000
DX	35	40	42	48	69	82	103	106	180	281	378	510	770	1250
DXMQ	37	42	44	50	71	84	105	108	184	285	382	-	-	-
DXT	37	42	44	51	77	92	119	122	190	303	398	551	818	1326
DXTMQ	41	44	46	53	79	94	121	124	194	307	402	-	-	-
DXU	37	42	44	51	77	92	119	122	190	303	398	551	818	1326
DXUMQ	41	44	46	53	79	94	121	124	194	307	402	-	-	-
DXVL & DXVH	38	44	45	66	77	93	117	120	208	316	405	581	848	1403
DXVLMQ & DXVHMQ	40	46	47	68	79	95	119	122	212	320	409	-	-	-
DXJ	36	42	44	51	72	86	109	112	191	299	390	-	-	-
DXJMQ	38	44	46	53	74	88	111	114	195	303	394	-	-	-
DXH	35	40	43	51	70	80	103	106	180	281	378	510	770	1250
DXHMQ	37	42	45	53	72	82	105	108	184	285	382	-	-	-
DXF	37	42	44	52	79	92	119	122	186	299	390	-	-	-
DXFMQ	39	44	46	54	81	94	121	124	190	303	394	-	-	-
DXFE	-	-	-	-	-	-	115	126	210	302	410	-	-	-
DXFEMQ	-	-	-	-	-	-	115	128	214	306	414	-	-	-

Flexaline Accessories Approximate Shipping Weights (LBS.) Double Reduction Helical/Worm Design

ACCESSORY	213	215	218	220	224	226	230	232	242	252	2600	2700	2800	21000
Horizontal Base	3	3	3	3	8	10	16	16	18	22	31	41	48	76
Vertical Base	4	4	4	8	8	11	14	14	28	36	36	71	78	156
"J" Mount Base	1	2	2	3	3	4	6	6	11	18	-	-	-	-